

Ref. : DI 7240.pas

Rev. : K

Date : 23/05/2014

Page : 1/1

# RUBBER EXPANSION JOINT WITH SWIVEL FLANGES

## DI 7240



### APPLICATION

Expansion joint.

### GENERAL CHARACTERISTICS

EPDM rubber bellow.  
Zinc-plated steel flanges drilled ends - PN10 / PN16 (DN32-150),  
PN10 (DN200-700).

Movement :

- Axial compression,
- Axial extension,
- Lateral movement.

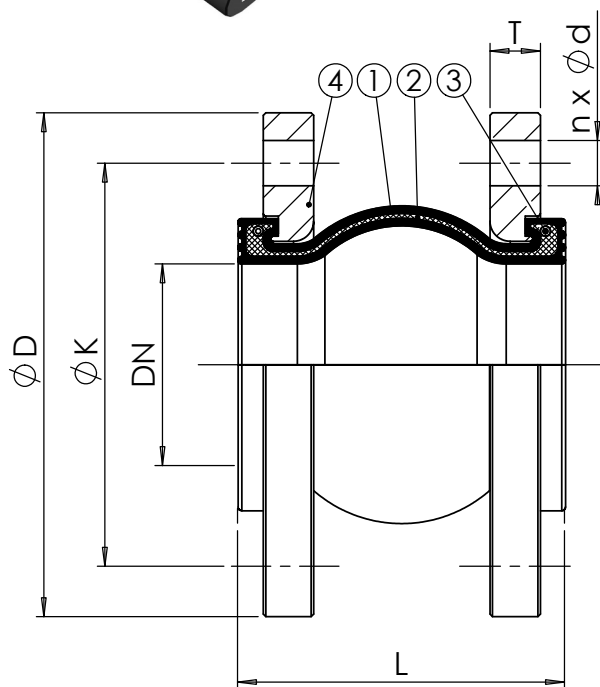
### CONSTRUCTION

4	2	Flange	Zinc plated steel
3	2	Reinforced wire	Steel
2	1	Reinforcement	Nylon tyre cord
1	1	Bellow	EPDM
Pos.	Qty.	Description	Material

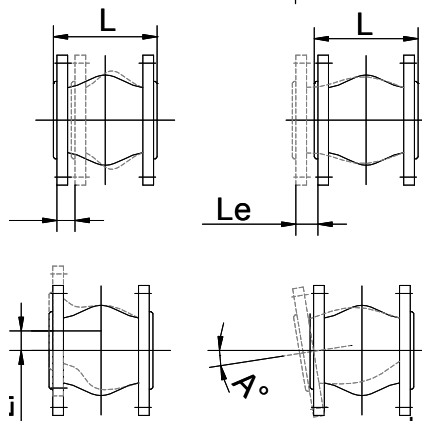
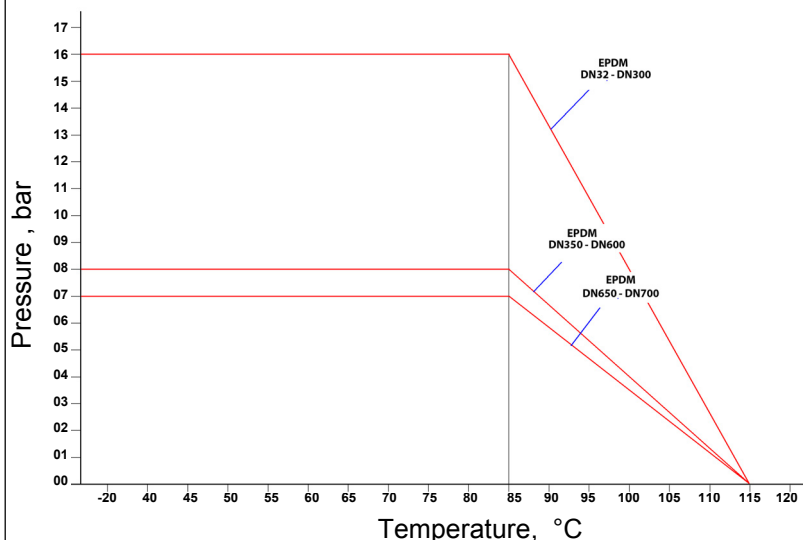


### DIMENSIONS

DN		L	ØK	n x Ød	ØD	T	Lc	Le	Li	A°	Weight (kg)
mm	inch										
32	1" 1/4	95	100	4 x Ø18	140	15	8	4	8	15	2,86
40	1" 1/2	95	110	4 x Ø18	150	15	8	5	8	15	3,52
50	2"	105	125	4 x Ø18	165	15	8	6	8	15	4,09
65	2" 1/2	115	145	4 x Ø18	185	15	12	6	10	15	5,11
80	3"	130	160	8 x Ø18	200	17	12	10	10	15	6,11
100	4"	135	180	8 x Ø18	220	17	18	10	12	15	6,99
125	5"	170	210	8 x Ø18	250	19	18	10	12	15	8,91
150	6"	180	240	8 x Ø23	285	21	18	14	12	15	12,8
200	8"	205	295	8 x Ø23	340	21	25	14	22	15	16,7
250	10"	240	350	12 x Ø23	395	23	25	14	22	15	23,6
300	12"	260	400	12 x Ø23	445	25	25	16	22	15	29,2
350	14"	265	460	16 x Ø23	505	25	25	16	22	15	40,0
400	16"	265	515	16 x Ø27	565	27	25	16	22	15	46,0
450	18"	265	565	20 x Ø27	615	29	25	16	22	15	58
500	20"	265	620	20 x Ø27	670	29	25	16	22	15	62
600	24"	265	725	20 x Ø30	780	29	25	16	22	15	72
700	28"	265	840	24 x Ø30	895	36	25	16	22	15	165



### WORKING CONDITIONS



Lc : Axial compression.  
Le : Axial extension.  
Li : Lateral movement.

### STANDARDS

Pressure test according to standards EN 12266-1, DIN 3230, BS 6755 and ISO 5208.

Flanges drilled according to standards EN 1092-1 ISO PN10/16 (DN32-150), PN10 (DN200-700).

**TECOFI France** - 83, Rue Marcel Mérieux 69960 Corbas - FRANCE  
Tél. +33 (0) 4 72 79 05 79 - Fax +33 (0) 4 78 90 19 19 / +33 (0) 4 72 79 05 70  
Adresses e-mail : sales@tecofi.fr ; tecofi@tecofi.fr / Site web : [www.tecofi.fr](http://www.tecofi.fr)

The photographs and technical art works are not contractual. The specifications of the presented products are open to modifications without previous advice.